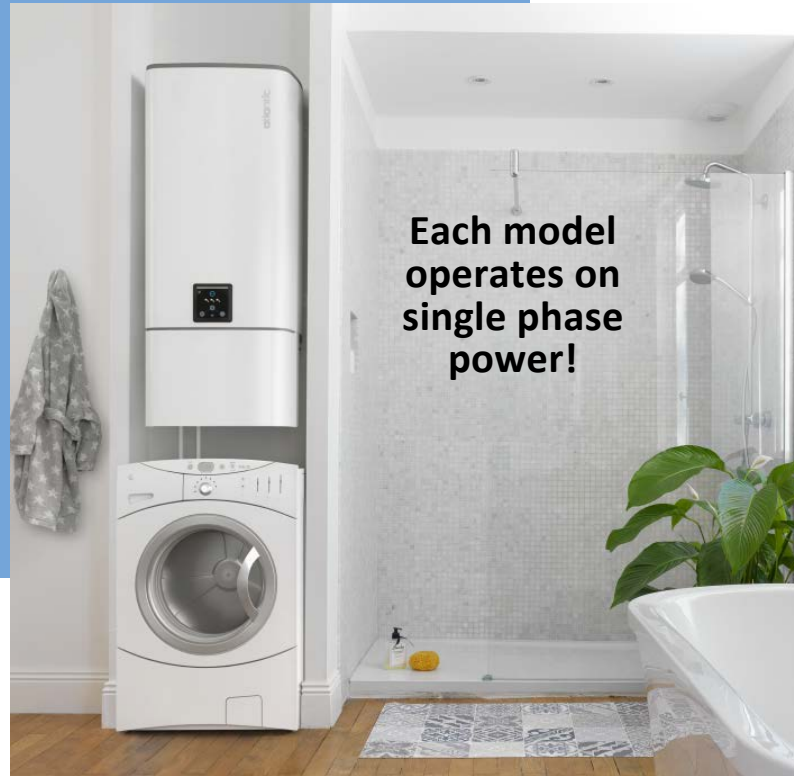
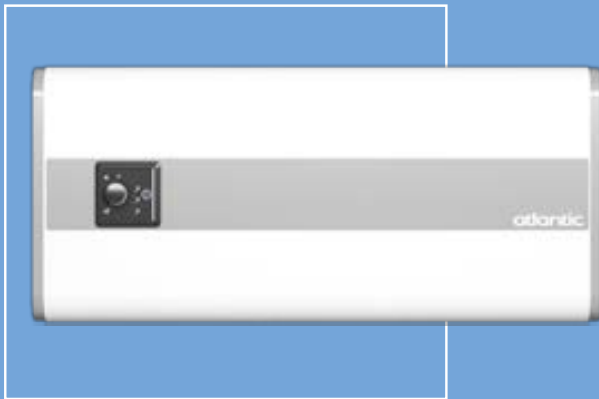


## Vertigo Steatite

SPACE & ENERGY-SAVING WATER HEATER  
WITH PREMIUM FLAT DESIGN



### + PRODUCT

#### COMFORT

- Space-saving solution for easy integration in small dwellings
- Premium flat design (less than 30 cm depth)
- Multiposition installation: Can be installed both vertically and horizontally to fit in bathrooms, laundries and kitchens
- Boost function\*: 1 shower in less than 30 minutes

#### QUALITY - DURABILITY

- Double tank Steatite technology: Double ceramic dry heating element, adapted to aggressive, hard or desalinated water
- Magnesium anode for strengthened tank protection
- New generation diamond-quality enamel (glass-lined inner tank)
- TPR valve 850kPa 3 in 1 with 1/2" coupling
- Dielectric union
- Specific lip gasket to avoid corrosion around flange

#### POWER REQUIREMENTS

- Requires a dedicated, single phase 16 AMP circuit with the exception of the 25 litre model requiring a 10 AMP circuit

Allowance of approx. 300mm is required for plumbing from cold water inlet & hot water outlet as well as the plumbing cover (if used) as shown in the image above.  
Request our hydraulic setup diagram for more information.

#### USER-FRIENDLINESS

- IP 24 - full compliance with New Zealand standards for electrical safety and user protection
- Intuitive user-friendly interface with mode-setting control knob
- Easy installation with wall-mounting plates and drilling template

#### SAVINGS

- Smart control: Smart system for energy savings, learning consumer's habits
- Accurate electronic thermostat for finest temperature control
- High-efficiency water inlet
- CFC-free high-density insulation for more energy savings

### ELECTRIC WATER HEATER

### 25 TO 80 L (MULTI-POSITION INSTALLATION)



Model available\*\*



Digital interface



Energy savings

MAGNESIUM  
ANODE

Tank protection

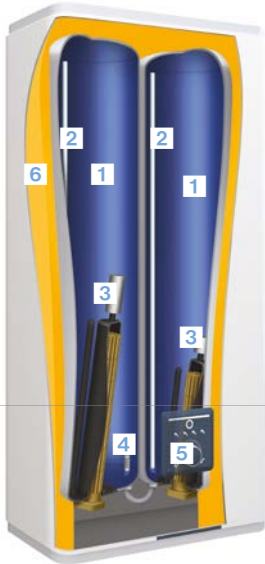


Dry ceramic heating element

\*Not available for Vertigo Steatite 30 (25 litre)

\*\*D: Multiposition installation

## Vertigo Steatite



- 1 Diamond-quality enamel (glass-lined inner tank)
- 2 Optimised stainless steel outlet pipe
- 3 Double Steatite dry heating element with magnesium anode
- 4 Inlet diffuser
- 5 Digital interface
- 6 High-density polyurethane foam 0 % CFC

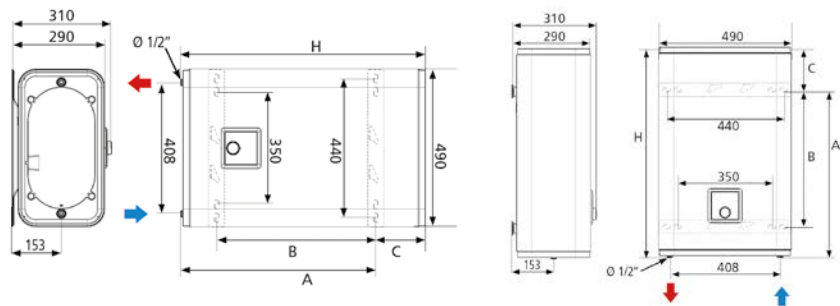


- 1 Heating light indicator
- 2 Boost mode\*: quick heating in order to recover 1 shower in less than 30 min
- 3 Shower-ready indicator showing quantity of hot water remaining (fixed) or being produced (blinking)
- 4 Manual mode: Manual selection of hot water quantity
- 5 Anti-frost mode (7°C)
- 6 Manual selection (from 50°C to 70°C max)
- 7 Smart mode: Automatic operation according to consumer habits thanks to a self learning program
- 8 Quick mode selection control knob



Thanks to the unique Steatite technology, the water heater is well adapted to aggressive, hard and desalinated water. Ceramic heating element is protected by enamelled steel sleeve, which grants a large heat exchange surface and reduces limescale deposits.

### INSTALLATION DIMENSIONS



Allowance of approx. 300mm is required for plumbing from cold water inlet & hot water outlet as well as the plumbing cover (if used). Request a copy of our hydraulic setup diagram for more information.

### TECHNICAL DATA

MODEL	CAPACITY (L)	MAXIMUM POWER OUTPUT (W)	POWER OUTPUT EXIT TANK (W)	POWER OUTPUT ENTRY TANK (W)	TOTAL HEAT-UP TIME $\Delta T=50^{\circ}\text{C}$	HEAT-UP TIME EXIT TANK (WITHOUT BOOST)
Vertigo Steatite 30	25	1000	1000	1000	1h32	0h46
Vertigo Steatite 50	40	2250	1500 + 750	1000	2h02	0h49
Vertigo Steatite 80	65	2250	1500 + 750	1000	3h19	1h19
Vertigo Steatite 100	80	2250	1500 + 750	1000	4h04	1h38

### DIMENSIONS

MODEL	HEIGHT (H)	WIDTH (W)	DEPTH <sup>(1)</sup> (D)	DIMENSIONS (mm)			NET WEIGHT (Kg)	NUMBER OF USERS
				A	B	C		
Vertigo Steatite 30	600	490	290	435	280	165	20.5	1
Vertigo Steatite 50	765	490	290	610	500	155	24.5	2
Vertigo Steatite 80	1090	490	290	975	700	115	32.5	3
Vertigo Steatite 100	1300	490	290	1185	800	115	37.5	4

(1) Without wall plates