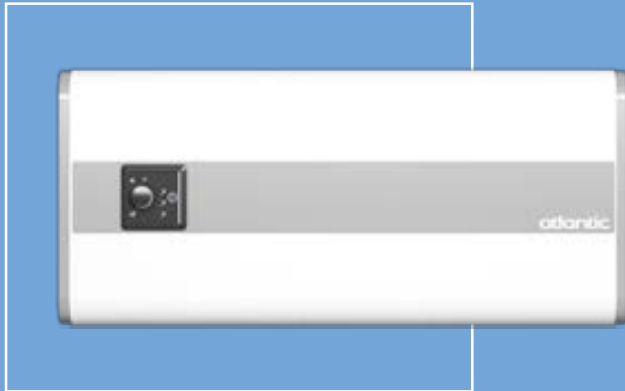


## Vertigo Steatite

SPACE & ENERGY-SAVING WATER HEATER  
WITH PREMIUM FLAT DESIGN



### + PRODUCT

#### COMFORT

- Space-saving solution for easy integration in small dwellings
- Premium flat design (less than 30 cm depth)
- Multiposition installation: Can be installed both vertically and horizontally to fit into spaces not usually associated with hot water cylinders.
- Boost function\*: 1 shower in less than 30 minutes

#### QUALITY - DURABILITY

- Double tank Steatite technology: Double ceramic dry heating element, adapted to aggressive, hard or desalinated water
- Magnesium anode for strengthened tank protection
- New generation diamond-quality enamel (glass-lined inner tank)
- TPR valve 850kPa 3 in 1 with 1/2" coupling
- Dielectric union
- Specific lip gasket to avoid corrosion around flange

#### POWER REQUIREMENTS

- Requires a dedicated, single phase 16 AMP circuit with the exception of the 25 litre model requiring a 10 AMP circuit

Allowance of approx. 300mm is required for plumbing from cold water inlet & hot water outlet as well as the plumbing cover (if used) as shown in the image above. Visit the website ([www.atlantic-comfort.nz](http://www.atlantic-comfort.nz)) or request our hydraulic setup diagrams for more information.  
NB: 150mm clearance is achievable in certain circumstances.  
Please ask about this option.

#### USER-FRIENDLINESS

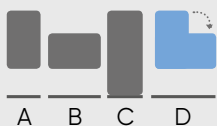
- IP 24 - full compliance with New Zealand standards for electrical safety and user protection
- Intuitive user-friendly interface with mode-setting control knob
- Easy installation with wall-mounting plates and drilling template

#### SAVINGS

- Smart control: Smart system for energy savings, learning consumer's habits
- Accurate electronic thermostat for finest temperature control
- High-efficiency water inlet
- CFC-free high-density insulation for more energy savings

### ELECTRIC WATER HEATER

### 25 TO 80 L (MULTI-POSITION INSTALLATION)



Model available\*\*



Digital interface



Energy savings

MAGNESIUM  
ANODE

Tank protection



Dry ceramic heating element

\*Not available for Vertigo Steatite 30 (25 litre)

\*\*D: Multiposition installation

## Vertigo Steatite



- 1 Diamond-quality enamel (glass-lined inner tank)
- 2 Optimised stainless steel outlet pipe
- 3 Double Steatite dry heating element with magnesium anode
- 4 Inlet diffuser
- 5 Digital interface
- 6 High-density polyurethane foam 0 % CFC

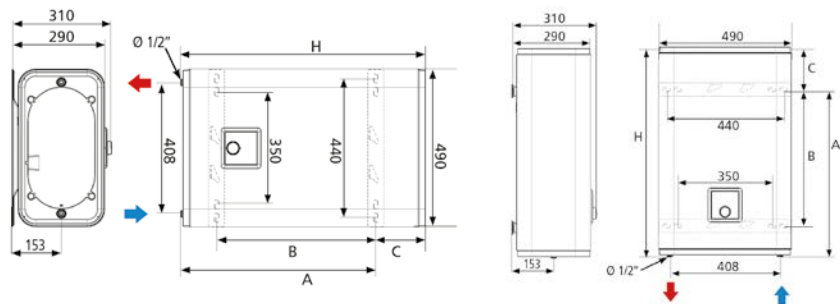


- 1 Heating light indicator
- 2 Boost mode\*: quick heating in order to recover 1 shower in less than 30 min except 25 litre model
- 3 Shower-ready indicator showing quantity of hot water remaining (fixed) or being produced (blinking)
- 4 Manual mode: Manual selection of hot water quantity
- 5 Anti-frost mode (7°C)
- 6 Manual selection (from 50°C to 70°C max)
- 7 Smart mode: Automatic operation according to consumer habits thanks to a self learning program
- 8 Quick mode selection control knob



Thanks to the unique Steatite technology, the water heater is well adapted to aggressive, hard and desalinated water. Ceramic heating element is protected by enamelled steel sleeve, which grants a large heat exchange surface and reduces limescale deposits.

### INSTALLATION DIMENSIONS



Allowance of approx. 300mm is required for plumbing from cold water inlet & hot water outlet as well as the plumbing cover (if used).

Visit the website ([www.atlantic-comfort.nz](http://www.atlantic-comfort.nz)) or request our hydraulic setup diagrams for more information.

NB: 150mm clearance is achievable in certain circumstances. Please ask about this option.

### TECHNICAL DATA

MODEL	CAPACITY (L)	MAXIMUM POWER OUTPUT (W)	POWER OUTPUT EXIT TANK (W)	POWER OUTPUT ENTRY TANK (W)	TOTAL HEAT-UP TIME $\Delta T=50^{\circ}\text{C}$	HEAT-UP TIME EXIT TANK (WITHOUT BOOST)
ANZ VERTIGO25	25	1000	1000	1000	1h32	0h46
ANZ VERTIGO40	40	2250	1500 + 750	1000	2h02	0h49
ANZ VERTIGO65	65	2250	1500 + 750	1000	3h19	1h19
ANZ VERTIGO80	80	2250	1500 + 750	1000	4h04	1h38

### DIMENSIONS

MODEL	HEIGHT (H)	WIDTH (W)	DEPTH (1) (D)	DIMENSIONS (mm)			NET WEIGHT (Kg)	NUMBER OF USERS
				A	B	C		
ANZ VERTIGO25	600	490	290	435	280	165	20.5	1
ANZ VERTIGO40	765	490	290	610	500	155	24.5	2
ANZ VERTIGO65	1090	490	290	975	700	115	32.5	3
ANZ VERTIGO80	1300	490	290	1185	800	115	37.5	4

(1) Without wall plates